

PORTABLE 84 INCH 16:9 PROJECTOR SCREEN WITH TRIPOD STAND

User Guide



ENG

DEU

FRA

SPA

ITA

NLD

POL

SPECIFICATIONS

Model	BPS84-169-TSB	Projection Surface Size	185.9 x 104.6 cm 73.2 x 41.2 in
Screen Size	84 inch diagonal	Total Dimensions (Unfolded)	201 x 87 x 260 cm 79.1 x 34.3 x 102.4 in
Display	16:9 Aspect Ratio	Screen Material	Polyester
Viewing Angle	160°		
Screen Type	Tripod Projector Screen		

ENG

Only your feedback can make this product better, therefore please leave a truthful and honest review!
If you have any questions please contact us: support@provuebrand.com

DEU

Nur Ihr Feedback kann unser Produkt für alle besser machen. Sollten Sie Fragen haben oder unseren Produktsupport benötigen, kontaktieren Sie uns bitte unter support@provuebrand.com

FRA

Vos commentaires nous permettent d'améliorer ce produit. En cas de question ou de besoin d'assistance technique concernant le produit, veuillez nous contacter : support@provuebrand.com

SPA

Sólo sus comentarios pueden hacer que este producto mejore para todos. Si tiene alguna pregunta o necesita ayuda con nuestros productos, póngase en contacto con nosotros: support@provuebrand.com

ITA

Soltanto con il vostro feedback possiamo rendere questo prodotto migliore per tutti. Per qualsiasi domanda o assistenza riguardo il nostro prodotto non esitare a contattarci: support@provuebrand.com

NLD

Alleen uw feedback kan dit product beter maken voor iedereen. Als u een vraag heeft of hulp nodig heeft met ons product, neem alstublieft contact op met: support@provuebrand.com

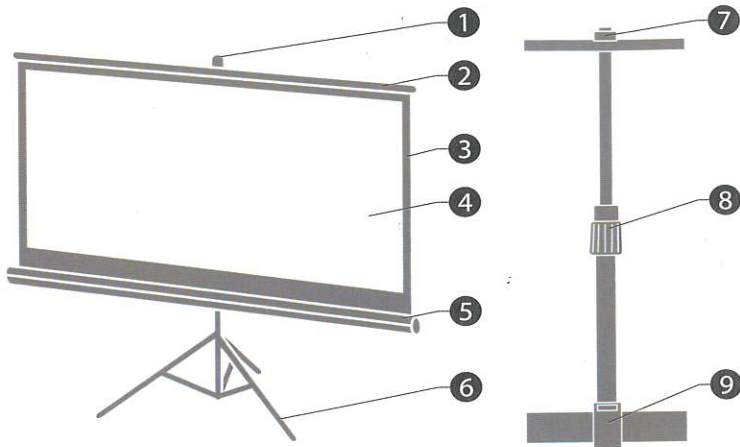
POL

Tylko twoja opinia może uczynić ten produkt lepszym dla wszystkich. Jeśli masz jakieś pytania lub potrzebujesz pomocy technicznej, skontaktuj się z nami: support@provuebrand.com

support@propvuebrand.com

www.propvuebrand.com





PRODUCT DIAGRAM

- | | |
|------------------|---|
| 1. Screen Handle | 6. Tripod |
| 2. Hanging Rod | 7. Hanging Hook |
| 3. Black Borders | 8. Vertical Rod & Locking Sleeve Ring |
| 4. Screen | 9. Screen Bottom Adjustment Lock, Release Tab, Assembly Nut & Tab |
| 5. Screen Case | |

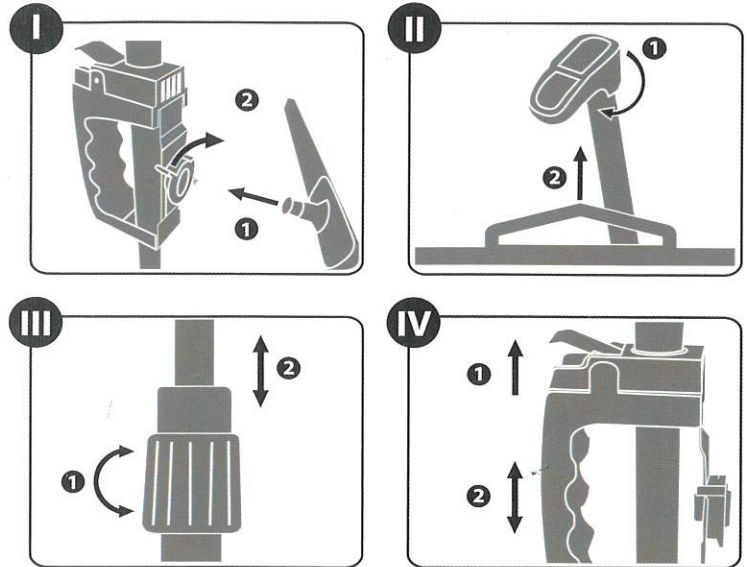


CAUTION

- Do not deliberately fold or press the screen.
- Do not allow sharp objects to touch the screen.
- Do not spill liquids or other chemical substances into the screen.
- Use a brush or a cotton ball to clean the screen gently. Do not use any detergent.
- Do not pull the screen with excessive force.
- Retract and store the screen into the storage bag if not to be used for a long time to protect from stains and dusts.

STEPS TO USE

ENGLISH



- I. The screen case is detachable. To detach, press down the tab on the assembly nut. Make sure the screen handle is facing the bottom of the top hook. Push the bolt on the screen case into the assembly nut and lift the tab to lock both parts in place.
- II. Rotate the hanging rod 180° to make it parallel to the ground. Pull out the screen with the screen handle and place it on the top hook.
- III. Twist the sleeve ring to lock / unlock the position of the vertical bar and adjust the screen height.
- IV. Lift up the adjustment tab to raise / lower the bottom of the screen. Press down the tab to lock the position in place.